

VideoSphere

MEGAPX

VideoSphere® MegaPX 720p and 1080p HD Cameras from March Networks® combine high quality video resolution with robust encoding performance. These fixed IP cameras are capable of sending high-definition images at real time frame rates (up to 30 fps at full 2 megapixel resolution) to ensure exceptional detail and motion capture. They can encode H.264 and M-JPEG streams simultaneously in real time at superb quality levels and low bit rates.

HIGH DEFINITION WITH REAL TIME FRAME RATE

March Networks' VideoSphere MegaPX cameras simultaneously offer megapixel resolution in HDTV format along with H.264 compression streams in real time (up to 30 fps). Available in 720p (1280x720) or full HD 1080p (1920x1080), the cameras capture detailed images with high fidelity colors for use in demanding video surveillance applications. Their advanced CMOS progressive scan sensor technology provides outstanding images in both normal and difficult lighting conditions by automatically adjusting white balance to ensure accurate color reproduction. The MegaPX MiniDome versions also utilize a removable IR cut filter that switches under low light conditions to provide True Day/Night viewing of vivid color images by day, and sharp monochrome images by night.

BANDWIDTH AND STORAGE SAVINGS WITH H.264

Recording and transmitting these crystal clear images in HDTV format is made possible through the use of highly efficient H.264 compression, which can result in bandwidth and storage savings of as much as 80 percent compared to M-JPEG and 50 percent compared to MPEG-4 (Part 2) compressions.

The benefits gained through advanced compression algorithms allow the MegaPX cameras to stream at 30 fps at maximum resolution, and record video independently to an optional SDHC (SD High Capacity) card or NAS device to ensure fail-safe backup in the event of a network outage or server failure. Moreover, the cameras can encode dual H.264 and M-JPEG streams simultaneously in real time to address different live or recording applications.

ECONOMICAL AND FLEXIBLE

Power over Ethernet simplifies the installation of the MegaPX cameras, while setup and programming are quickly accomplished using a browser interface. Remote health checks and software upgrades also ensure easy maintenance, as well as the highest reliability and system integrity. The MegaPX MiniDome versions can be mounted in either a flush or surface mount ceiling and can be used with a variety of optional mounts for various applications. An integrated, three axis gimbal design and high quality glass 3-9mm varifocal DC Iris lens offer flexibility in camera positioning and optimum field of view selection. In addition, a 16:9 aspect ratio enables the cameras to cover wider areas and ensure better overall coverage.



FEATURES

- **HD** video quality with 16:9 aspect ratio
- Video resolutions of up to 2 megapixels at 30 fps
- Simultaneous H.264 and M-JPEG compression streams
- 720p (1280x720) or 1080p (1920x1080) resolution options
- Progressive scan CMOS sensor
- SDHC internal storage¹ and direct NAS recording for redundant archiving
- Remote access to video recorded on camera or NAS with innovative Shadow Archiving™
- PoE-compliant
- HTTPS security encryption
- RTP/RTSP support
- Browser interface for full configuration
- Minidome TDN low light capability
- Two-way, full duplex audio
- All-in-one surface and flush mount minidome designs
- LDAP password configuration²
- ONVIF-compliance²
- Seamless integration with March Networks VMS, SiteManager client software, hybrid NVRs and third-party, ONVIF-compliant systems



Model	MegaPX 720p MiniDome	MegaPX 1080p MiniDome
Sensor type	1/2.5" CMOS Progressive Scan	1/2.5" CMOS Progressive Scan
Lens size	3-9 mm Varifocal DC Iris	3-9 mm Varifocal DC Iris
Light sensitivity – color	0.7 lux	0.7 lux
Light sensitivity – mono-chrome (slow shutter mode)³	< 0.02 lux	< 0.02 lux
Dynamic range	70.1 dB	70.1 dB
Signal-to-noise ratio	> 50 dB	> 50 dB
White balance	Auto tracking, manual, preset	Auto tracking, manual, preset
Backlight compensation	Yes	Yes
AGC, Auto Iris	Yes	Yes
Privacy masking	Up to 16 with VMS	Up to 16 with VMS
Compression	H.264 / M-JPEG	H.264 / M-JPEG
Maximum resolution	1280x720; HD (1MP)	1920x1080; HD (2MP)
Maximum frame rate	30 fps @ 1280x720	30 fps @ 1920x1080
Audio	Two-way, full duplex	Two-way, full duplex
Alarm	1	1
Relay	1	1
Internal storage	SDHC card ¹ slot	SDHC card ¹ slot
Supported protocols	RTP/RTSP, HTTPS, IPv4, HTTP, TCP, UDP, RTCP, DHCP, ARP	RTP/RTSP, HTTPS, IPv4, HTTP, TCP, UDP, RTCP, DHCP, ARP
Network interface	Ethernet 100 Mbps	Ethernet 100 Mbps
Power supply	12 VDC / PoE Class 2	12 VDC / PoE Class 2
Power consumption	< 4.5 W	< 4.5 W
Operating temperature:		
Standard	14 to 122°F / -10 to 50°C	14 to 122°F / -10 to 50°C
Extended	-22 to 122°F / -30 to 50°C	-22 to 122°F / -30 to 50°C
Relative humidity	8 - 90% non-condensing	8 - 90% non-condensing
Weight: Flush mount	2.8 lbs / 1.25 kg	2.8 lbs / 1.25 kg
Surface mount	2.4 lbs / 1.1 kg	2.4 lbs / 1.1 kg
Dimensions: Flush mount (H x D)	4.9 x 7.25 in. / 12.46 x 18.41 cm	4.9 x 7.25 in. / 12.46 x 18.41 cm
Surface mount	4.9 x 5.52 in. / 12.46 x 14.03 cm	4.9 x 5.52 in. / 12.46 x 14.03 cm
Mounting options	Hard flush or surface	Hard flush or surface
Mounting accessories	Wall, pendant, corner mount adaptor or pole mount adaptor	Wall, pendant, corner mount adaptor or pole mount adaptor
Environment	Indoor / outdoor (IP65)	Indoor / outdoor (IP65)
Certifications	UL 60950-1, CE – EMC Directive 2004/108/EC, Standards EN55022, EN55024, FCC Part 15 Subpart B, ICES-003, RoHS Directive (2002/95/EC), C-tick	

Flush Mount



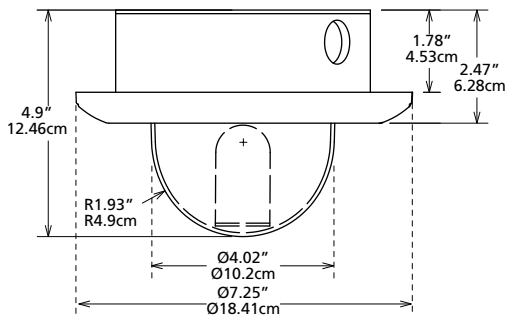
Surface Mount



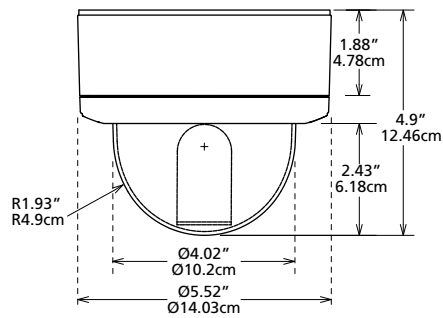
VideoSphere MegaPX HD Cameras



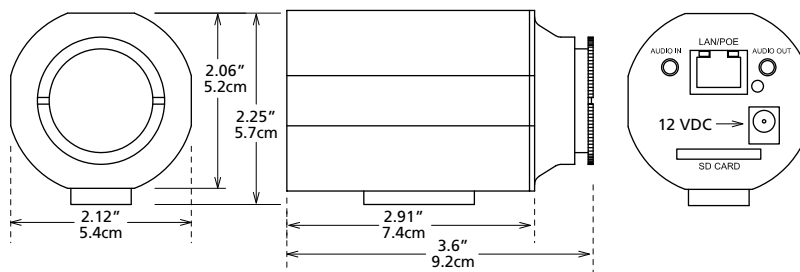
MegaPX 720p MiniDome, flush mount



MegaPX 1080p MiniDome, surface mount



MegaPX 720p/1080p without lens



- NOTES: ¹ Memory card not included.
² Firmware upgrade. Please contact your March Networks representative for details on availability.
³ With IR cut filter removed.

060-3057-00-D

North America ————— 1 800 563 5564
 Latin America ————— +1 613 591 8181
 Europe, Middle East and Africa ————— +39 0362 17935
 Asia Pacific ————— +61 1300 089 419
www.marchnetworks.com

March Networks EMEA
 Via Lavoratori Autobianchi, 1
 Edificio 23
 20033 Desio - Milano - ITALY
 Phone: +39 0362 17935
 Fax: +39 0362 1793590

March Networks
 Corporate Headquarters
 303 Terry Fox Drive
 Ottawa, Ontario - CANADA K2K 3J1
 Phone: +1 613 591 8181
 Fax: +1 613 591 7337